

Ferrule - AI 2,5 - 8 GY-B - 3201550

Please be informed that the data shown in this PDF Document is generated from our Online Catalog. Please find the complete data in the user's documentation. Our General Terms of Use for Downloads are valid (<http://phoenixcontact.com/download>)

Ferrule, Sleeve length: 8 mm, Length: 14 mm, Color: gray



The illustration shows version AI 1,5 - 8 in red

Product Features

- The taped ferrules were developed specifically for the crimping machine CF 3000 -2,5
- Available in the main color ranges up to 2.5 mm²
- Can be used to wire all terminal blocks, especially those of the CLIPLINE complete system



Key Commercial Data

Packing unit	1 pc
Minimum order quantity	500 pc
Weight per Piece (excluding packing)	0.1 g
Custom tariff number	85369010
Country of origin	Germany

Technical data

Dimensions

Length (b)	14 mm
Maximum stripping length	11 mm
Sleeve length	8 mm
Inner dimension of the insulating collar (d)	4.2 mm
Ferrule diameter	2.3 mm
Insulating collar thickness	0.3 mm
Sleeve wall thickness	0.15 mm

Ambient conditions

Short-term temperature	120 °C
------------------------	--------

Ferrule - AI 2,5 - 8 GY-B - 3201550

Technical data

Ambient conditions

Max. permanent temperature	105 °C
----------------------------	--------

General

Color	gray
Components	free from silicone and halogen
Flammability rating according to UL 94	HB
Material	E-CU
Coating	tin-plated (galvanic)

Standards and Regulations

Connection in acc. with standard	CSA
Flammability rating according to UL 94	HB

Classifications

eCl@ss

eCl@ss 4.0	27060701
eCl@ss 4.1	27060701
eCl@ss 5.0	27400201
eCl@ss 5.1	27400201
eCl@ss 6.0	27400201
eCl@ss 7.0	27400201
eCl@ss 8.0	27400201

ETIM

ETIM 2.0	EC000005
ETIM 3.0	EC000005
ETIM 4.0	EC000005
ETIM 5.0	EC000005

UNSPSC

UNSPSC 6.01	30212109
UNSPSC 7.0901	27121703
UNSPSC 11	27121703
UNSPSC 12.01	27121703
UNSPSC 13.2	27121703

Approvals

Approvals

Ferrule - AI 2,5 - 8 GY-B - 3201550

Approvals

Approvals

CSA / CSAus / EAC / EAC / cCSAus

Ex Approvals

Approvals submitted

Approval details

CSA 

CSAus

EAC

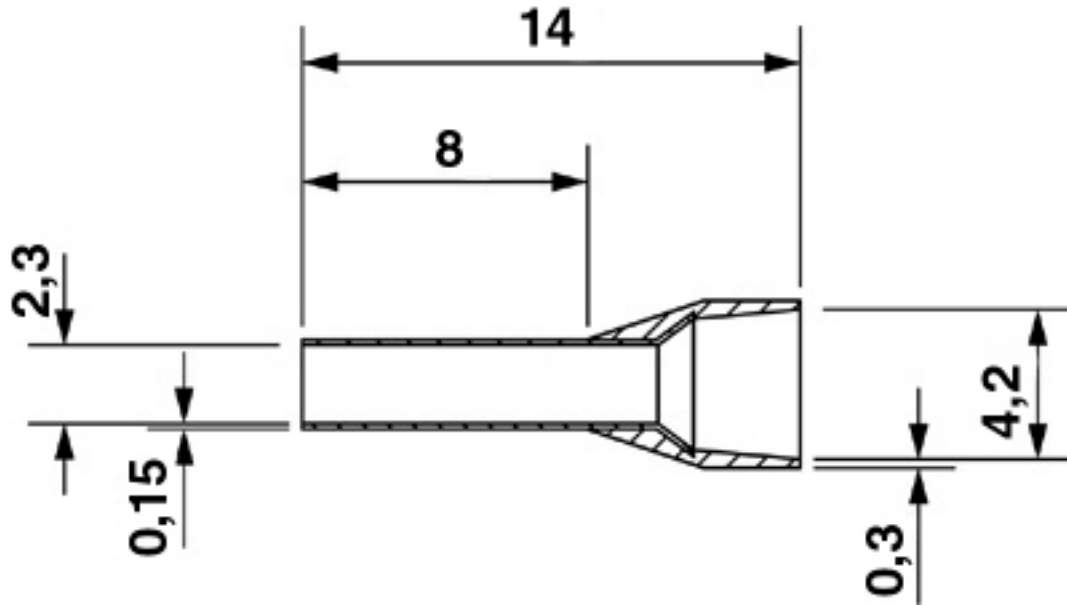
EAC

cCSAus

Drawings

Ferrule - Al 2,5 - 8 GY-B - 3201550

Dimensional drawing



Mouser Electronics

Authorized Distributor

Click to View Pricing, Inventory, Delivery & Lifecycle Information:

[Phoenix Contact:](#)

[3201550](#)