

Preliminary Product Brief

802.11 b/g/n

May 2010

Rev. 1.2

USB 2.0 Based - Processor Agnostic - 1x1 Single Stream

General Description

The W2SW0011u is a highly integrated wireless local area network (WLAN) system-on-chip (SoC), based on the 802.11 n industry standard. Designed for handheld or portable warehousing/logistics, medical and industrial applications, it is a complete 802.11 b/g/n WiFi solution that includes the crystal, switch, all filtering, local memory for MAC address storage and diagnostics capability.

Features

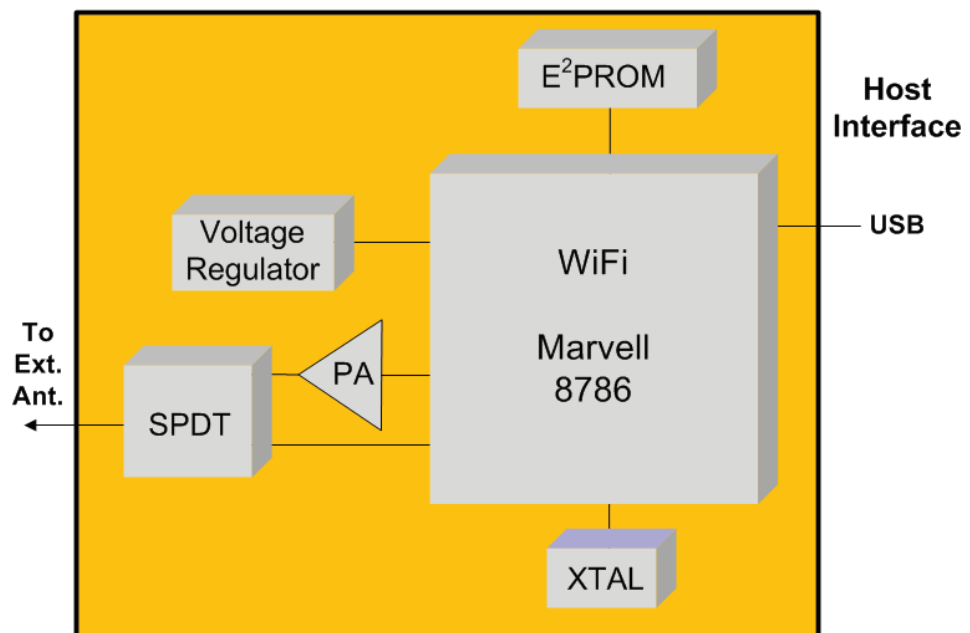
- USB2.0 Interface for easy host connection
- Highly integrated CMOS module
- Low power single supply operation
- 60 pad surface mount module
- Optimized RF and electrical design for better performance in co-existence with other wireless standards
- 802.11n features for high throughput and extended range
- Backward compatible with 802.11 b,g
- WEP, WPA, WPA2 (WiFi Protected Access)
- ROHS compliant

Applications

- Video Streaming and Telephony
- Video Conferencing
- WiFi Enabled Security Cameras
- Internet-Enabled Consumer Devices
- Warehousing and Logistics Handhelds
- Automotive Aftermarket
- Medical Imaging, Monitoring & Equipment
- Industrial Handhelds
- M2M Applications
- VoFi and Other Smart Phones

Specifications

- Package Dimensions:
15mm x 15 mm
- Temperature Range:
0 to +70C
- Interfaces:
USB 2.0 High Speed
- Power Ratings:
200 mA
- WiFi Transmit Power
Up to 15dBm



The preliminary specification is intended for advance information only, and is subject to change without notification.

Mouser Electronics

Authorized Distributor

Click to View Pricing, Inventory, Delivery & Lifecycle Information:

[Wi2Wi:](#)

[W2SW0011U-T](#)