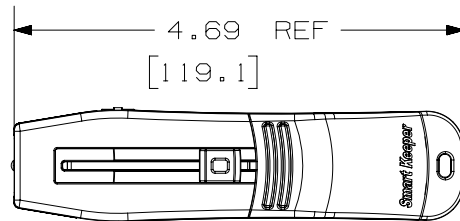
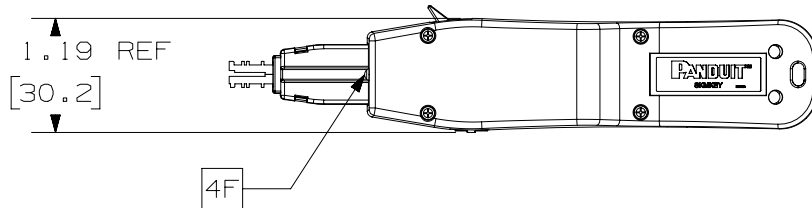
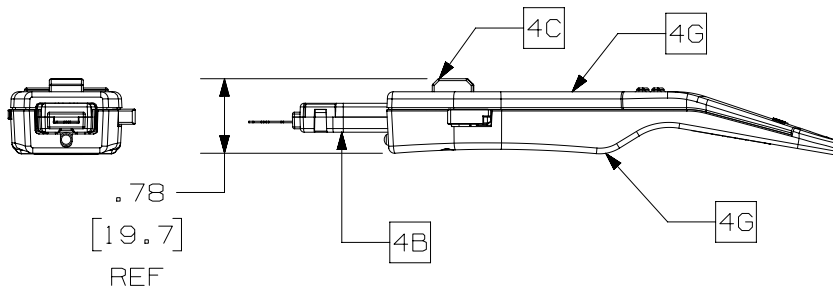
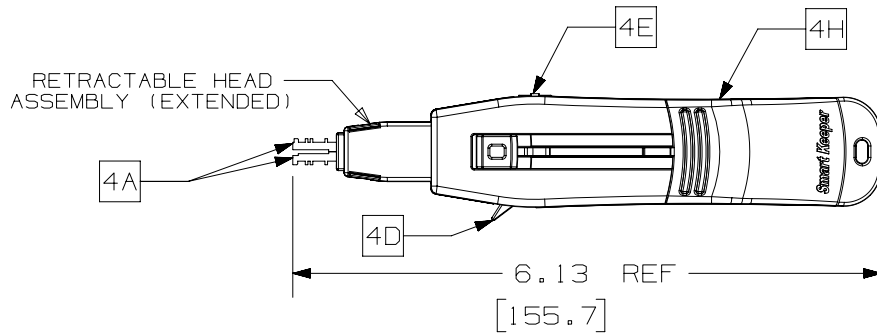


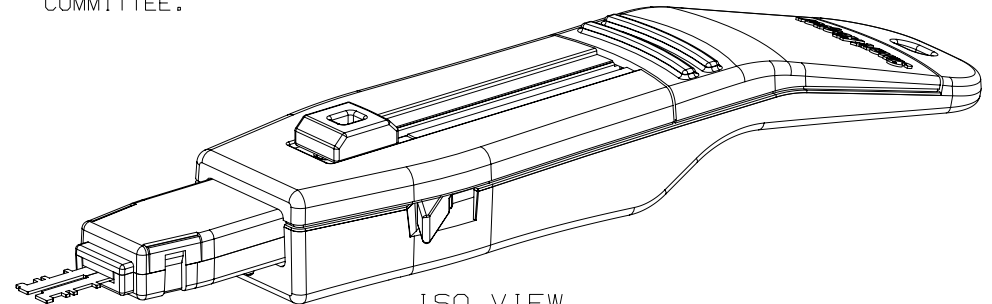
THIS COPY IS PROVIDED ON A RESTRICTED BASIS AND IS NOT TO BE USED IN ANY WAY DETRIMENTAL TO THE INTERESTS OF PANDUIT CORP.



VIEW SHOWING HEAD ASSEMBLY IN RETRACTED POSITION

NOTES:

- VISIT OUR ON-LINE CATALOG AT WWW.PANDUIT.COM FOR A LIST OF CURRENT PARTS APPLICABLE USE WITH THIS PRODUCT.
- PRODUCT IS USED TO REMOVE THE SMARTKEEPER BLOCKOUT DEVICES WITH UNIQUE AND CONFIDENTIAL FEMALE KEYED MOLDED IN FEATURES.
- SEE INSTALLATION INSTRUCTION FOR PROPER USE OF PRODUCT.
- PARTS INCLUDES (DESCRIPTION: MATERIAL/COLOR):
  - UNIQUE AND CONFIDENTIAL MALE KEYED BLADES: STAINLESS STEEL/NATURAL FINISH.
  - RETRACTABLE HEAD ASSEMBLY: POLYCARBONATE (PC)/COLOR: BLACK.
  - TOPSIDE BUTTON: POLYCARBONATE (PC)/COLOR: RED.
  - SIDE BUTTON: POLYCARBONATE (PC)/COLOR: RED.
  - LIGHT SWITCH: POLYCARBONATE (PC)/COLOR: RED.
  - LIGHT: POLYCARBONATE (PC)/COLOR: CLEAR.
  - MAIN BODY SHELLS: HIGH STRENGTH DIECAST METAL/COLOR: SILVER GREY.
  - ANTI-STATIC GRIP: NEOPRENE/COLOR: BLACK.
- PRODUCT IS DESIGNED FOR INDOOR USE ONLY.
- OPERATING TEMPERATURE AND HUMIDITY RANGE:
  - TEMPERATURE RANGE: -4°F (-20°C) TO +140°F (+60°C)
  - HUMIDITY RANGE: 10-70% NON-CONDENSING RELATIVE HUMIDITY.
- STORAGE CONDITIONS:
  - TEMPERATURE RANGE: -4°F (-20°C) TO +140°F (+60°).
  - HUMIDITY RANGE: 10-80% NON-CONDENSING RELATIVE HUMIDITY.
- WEIGHT: 0.14 LBS/ (1) PCS [64.6 grams/ (1) PCS].
- DIMENSIONS IN [ ] ARE METRIC.
- ALL MATERIALS AND COMPONENTS USED MEET THE MATERIALS RESTRICTIONS OF RoHS, (EUROPEAN DIRECTIVE 2011/65/EU ON THE RESTRICTION OF HAZARDOUS SUBSTANCES) AS PROPOSED BY THE RoHS TECHNICAL ADAPTATION COMMITTEE.



ISO VIEW  
1:1 SCALE

PART NUMBER		SKMKEY		
TITLE		SMARTKEEPER MASTER KEY		
ITEM REVISION NAME		CUSTOMER DRAWING		
DATASET FILE NAME		00402NAA/00		
MATERIAL		SEE NOTES		
DRAWING NUMBER		00402NAA-DC		
DRAWN BY		DATE	CHK	SCALE
MDJR		04-24-19	DCS	NONE
SHEET 1 OF 1		A		

00A	04-24-19	MDJR	DCS	MMR	DRAWING RELEASED	00402NAA-DC
REV	DATE	BY	CHK	APR	DESCRIPTION	ECN

# Mouser Electronics

Authorized Distributor

Click to View Pricing, Inventory, Delivery & Lifecycle Information:

[Panduit:](#)

[SKMKEY](#)